

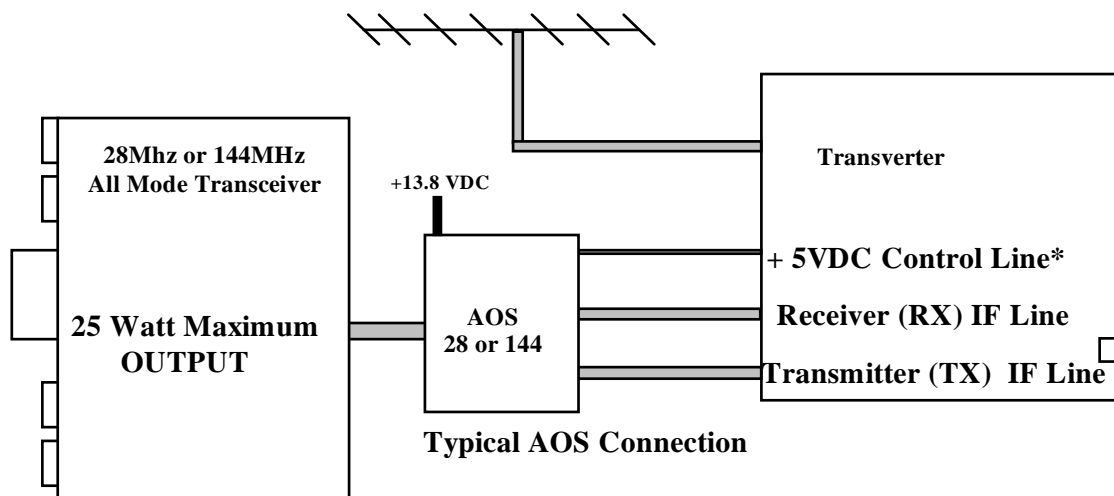
RF Sensed Solid State TR Switch DEM Part Number AOS-28 and AOS-144

Product Description and Specifications

The AOS-28 and AOS-144 are RF sensed solid state transmit / receive relays with 25W attenuators that are designed to be used as an interface between either a 10 or 2 meter 25 watt output all mode transceiver and any transverter. In operation, the AOS-28 and AOS-144 provide split transmit / receive connections and a control signal without modifying your transceiver. Actuation is RF sensed with RF drive levels up to **25 watts***. The AOS-28 and AOS-144 contain a 50 watt 50Ω load resistor in the transmit path attenuating a 25 watt level to a factory preset nominal output of \approx 100 milliwatts or less. In the receive path the switch has an insertion loss of less than 1dB. The AOS-28 and AOS-144 are housed in a 4.4" x 2.4" x 1.2" die cast enclosure with an external heat sink to provide cool operation under any condition.

DEM AOS 28 & AOS 144 Operating Specifications

Operating Voltage	12.0 - 15.5 VDC, 13.8 nominal
Current Drain	100mA Maximum Transmit, 10 mA Receive
Maximum Input Power	25 Watts ALL Modes!!!
Maximum Input VSWR	< 2.1
Transmit Port Output with 25W input power	100mW (+20 dBm) factory adjustable from 10mW to 1 Watt
RX to TX Port Isolation	>30dB
Operation Frequency	AOS-28 (26 - 30 MHz) AOS-144 (144 - 148MHz)
Control Signal Output	+5VDC \pm 1VDC, source 25mA
Connections	Input SO-238, Transmit / Receive BNC, Control Signal RCA



* Even though the DEM AOS is RF sensed, transverter operation will be enhanced if hard keyed directly by transceiver.